

PaX-i

YOUR PARTNER IN DIGITAL SUCCESS



SUPERIOR IMAGE QUALITY

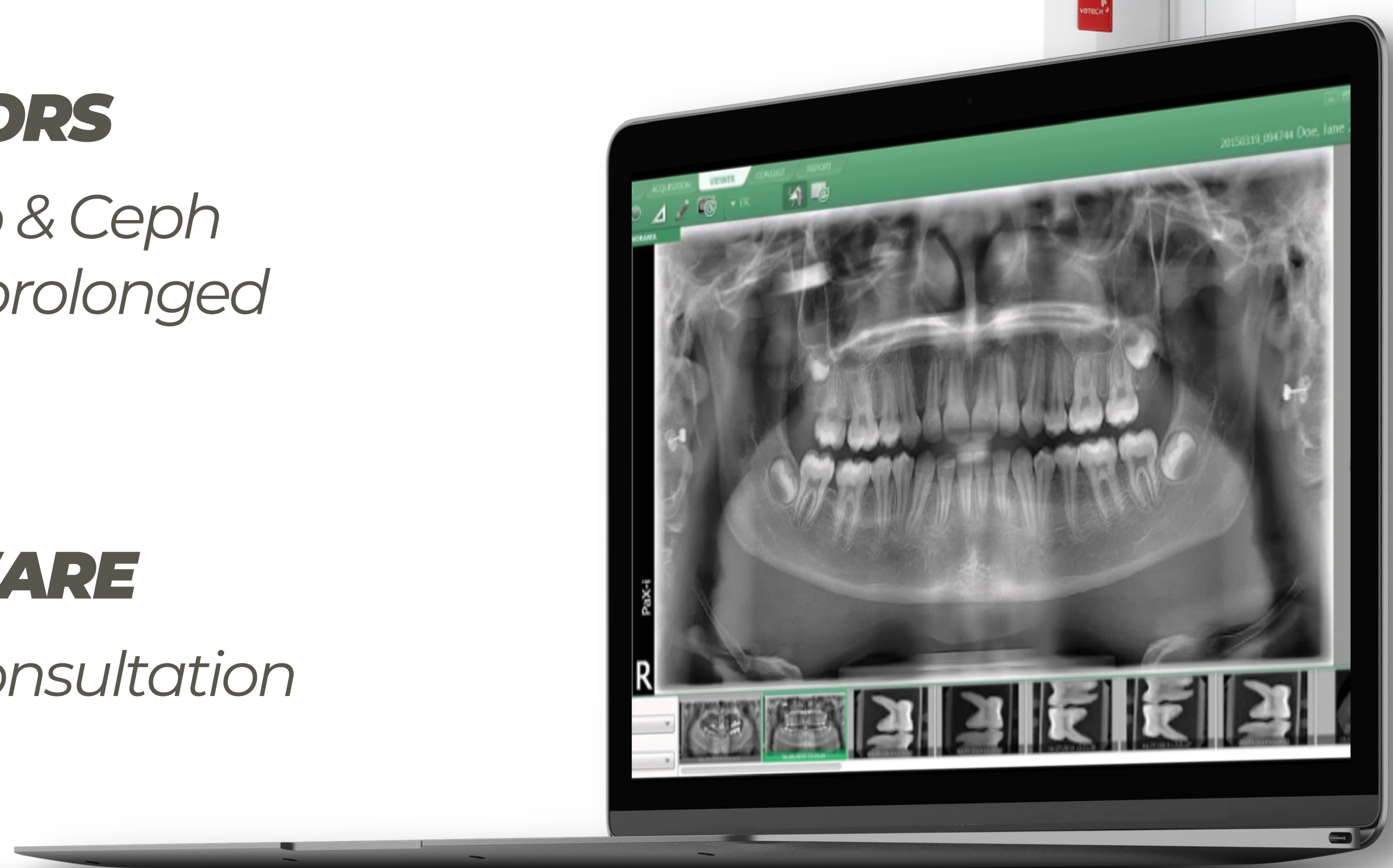
Optimal image for accurate diagnosis

TWO DEDICATED SENSORS

*Specialized sensors for Pano & Ceph
Streamlined workflow and prolonged
lifespan of sensors*

USER-FRIENDLY SOFTWARE

*Complete diagnostic and consultation
solution*



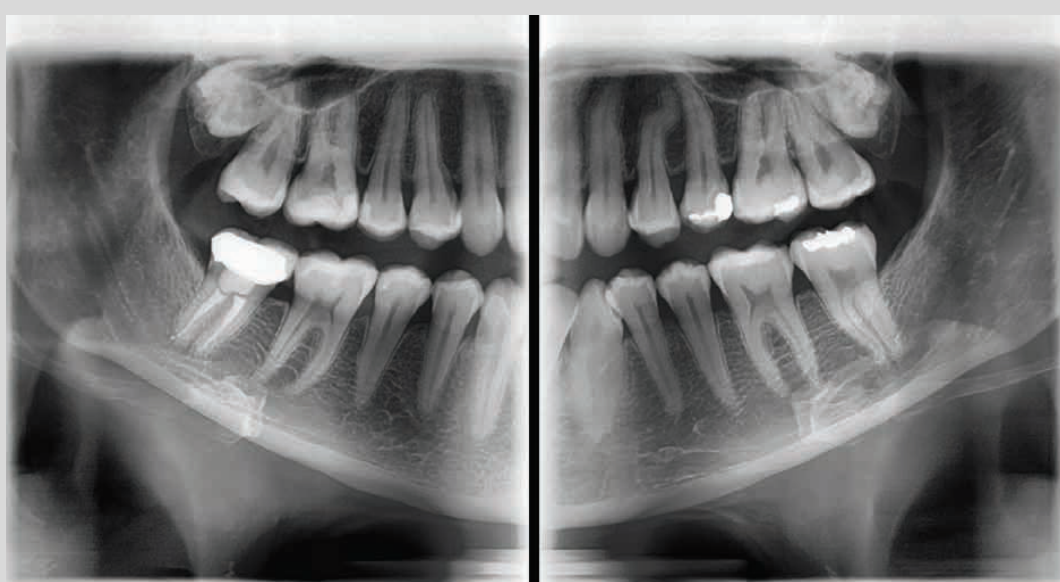
THE ADVANCED IMAGING SOLUTION FOR ACCURATE DENTAL DIAGNOSIS

The PaX-i provides the most precise and high quality panoramic images by combining image processing and accumulated experience in dental imaging from Vatech. This will increase your diagnostic accuracy for improved treatment planning and patient satisfaction.



MAKE YOUR DIAGNOSIS EASY WITH VARIOUS CAPTURE MODES

Bitewing Mode



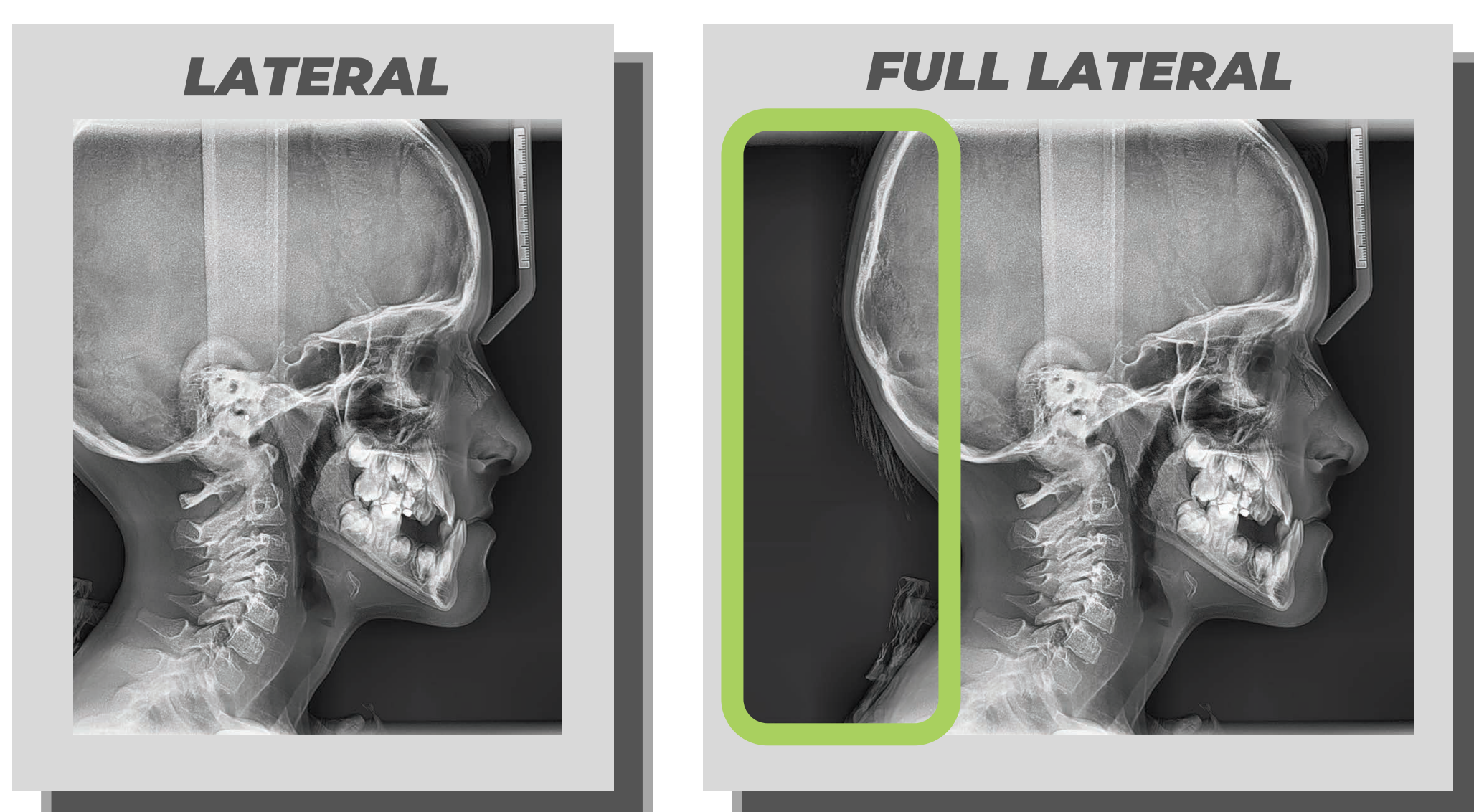
TMJ Mode



SELECTION	ARCH	EXAMINATION MODE
PANO EXAMINATION	Narrow/Normal Wide/Child	Standard / Right/ Front/ Left
	Orthogonal	Orthogonal Standard / Right/ Front/ Left Bitewing Standard / Right/ Front/ Left
SPECIAL EXAMINATION	Normal	TMJ LAT Open / Close TMJ PA Open / Close Sinus LAT / PA

CEPHALOMETRIC (SCAN CEPH)

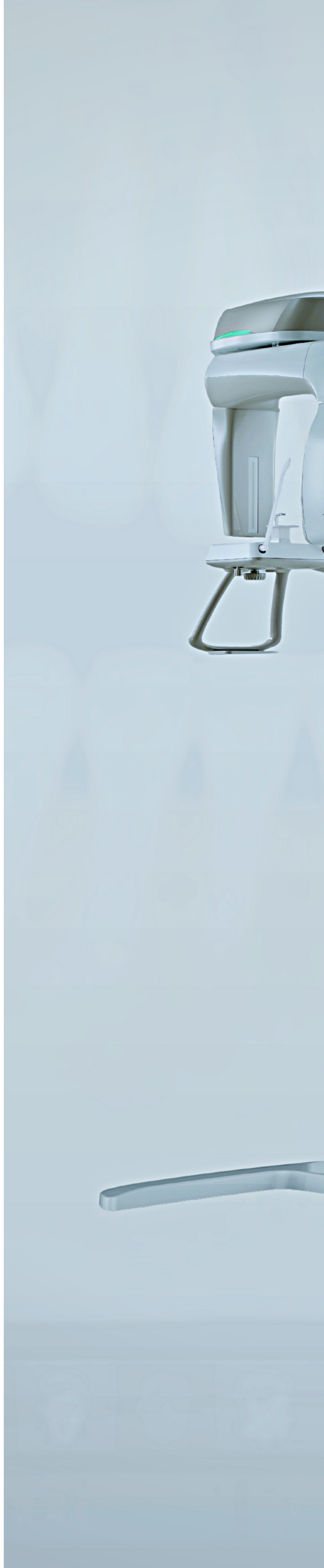
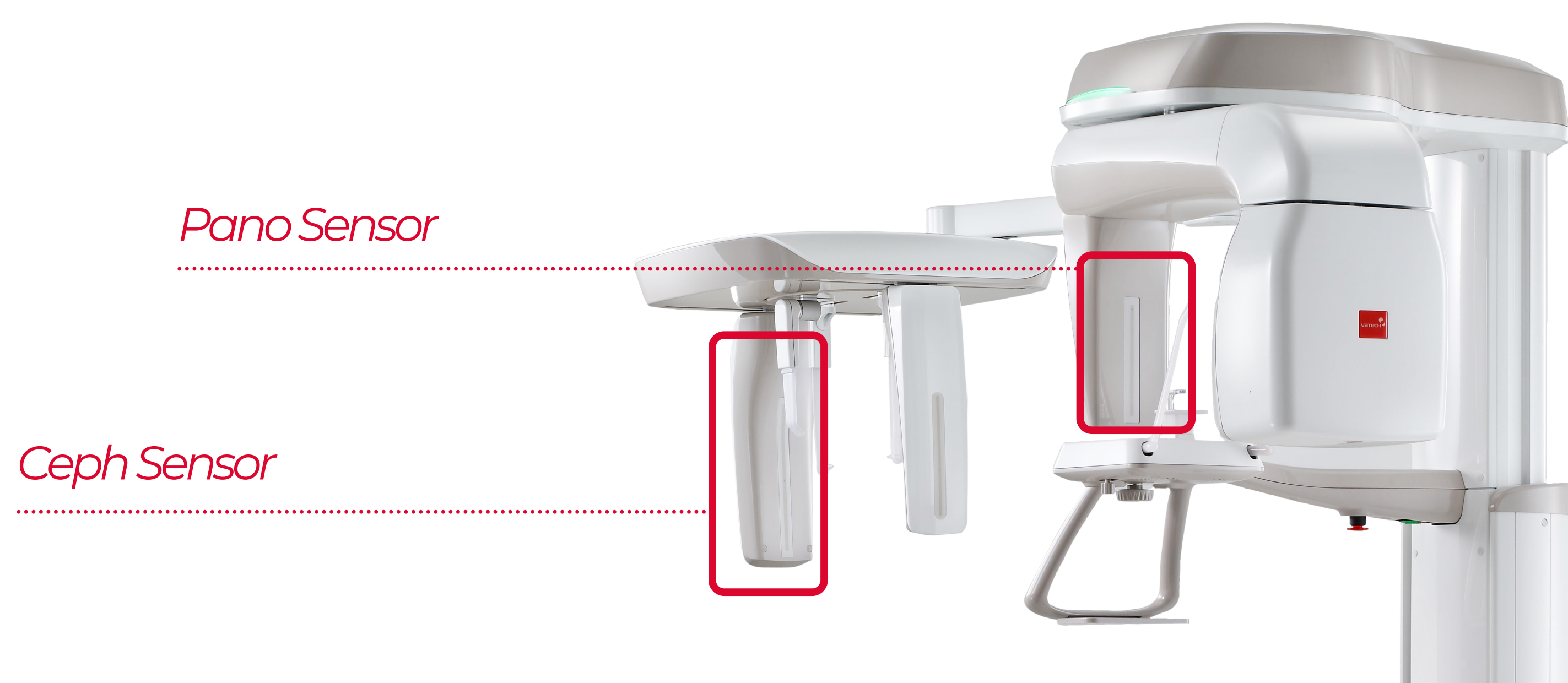
The PaX-i provides optimal images exclusively designed for orthodontics. There are 2 image sizes available, Lateral and Full Lateral, allowing you to choose your image size based on your diagnostic needs.



A full lateral image size is 30% wider and shows the occipital area of the patient, which enables comprehensive diagnosis.

2 DEDICATED SENSORS

The PaX-i offers two dedicated and embedded sensors for Pano and Ceph. This not only allows you to capture an optimal image from each sensor, but it also creates an efficient workflow.



PaX-i

CONFIGURATION



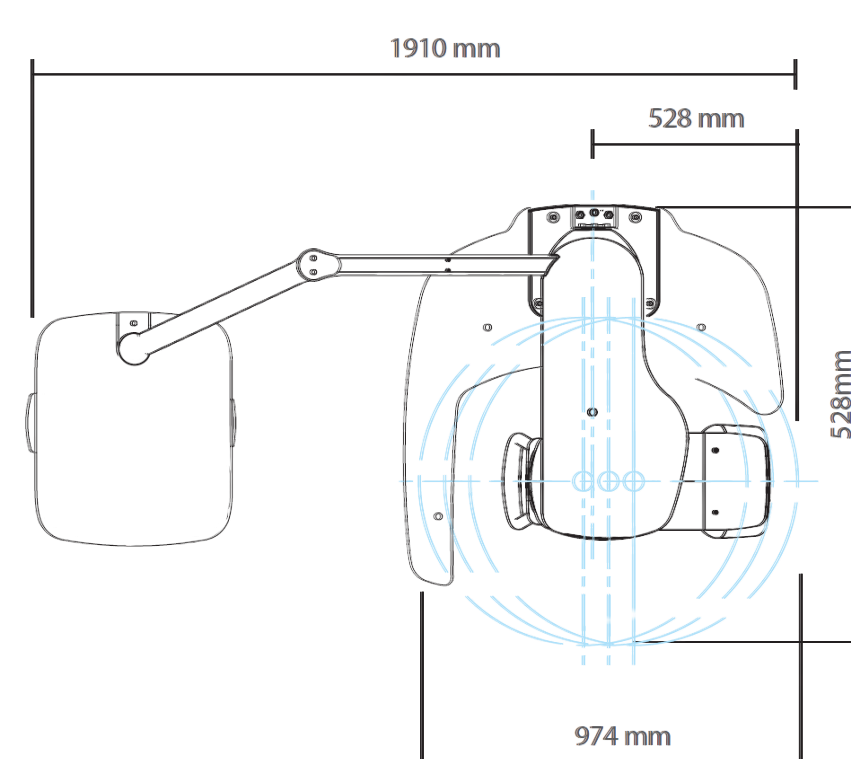
	PANO	CEPH	
		SCAN	ONE SHOT
PaX-i	●	✗	✗
PaX-i SC	●	●	✗

SPECIFICATIONS

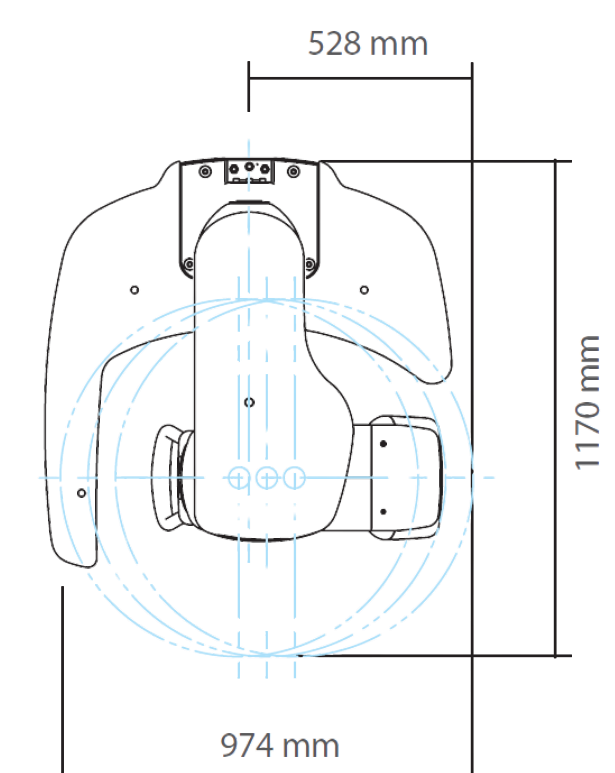
Function	Pano + Ceph	
Focal Spot Size	0.5 mm	
Scan Time	Pano	HD 13.5 sec / Normal 10.1 sec
	Ceph	Scan 12.9 sec / One Shot 0.9 sec
Tube Voltage/Current	50-90 kVp / 4-10 mA	
Ceph FOV Size	SC 21 x 23 cm 27 x 23 cm	[LAT, PA, SMV, Waters View, Carpus] [Full LAT]
Gray Scale	14 bit	
Patient Positioning	Standing / Wheelchair Accessible	

DIMENSIONS

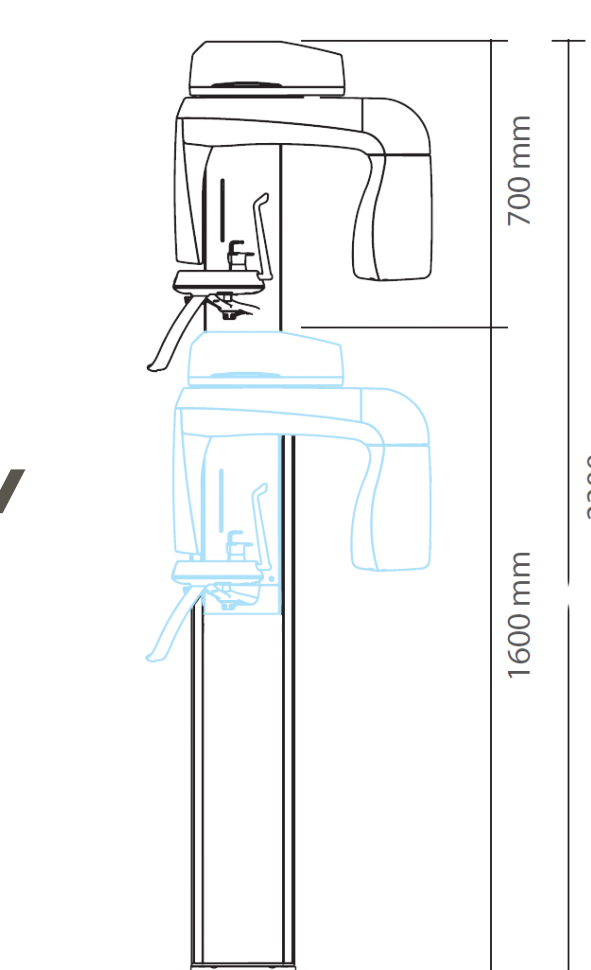
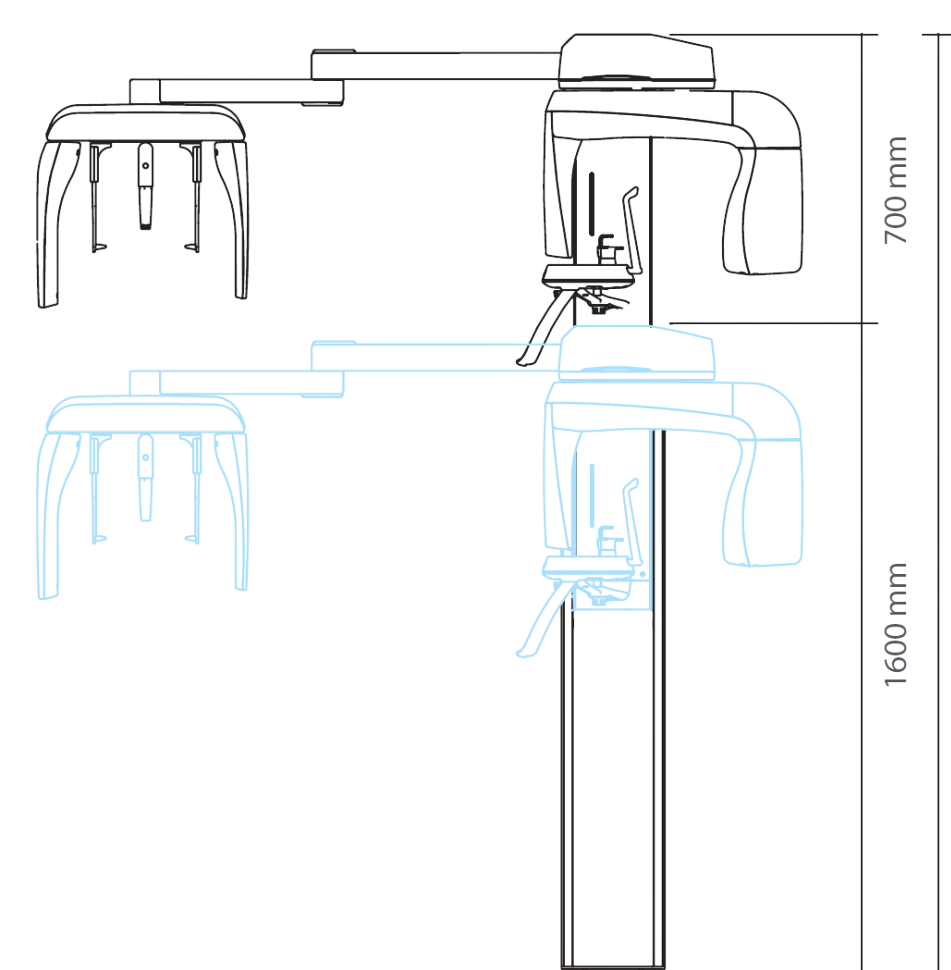
WITH CEPH



WITHOUT CEPH



TOP VIEW



FRONT VIEW